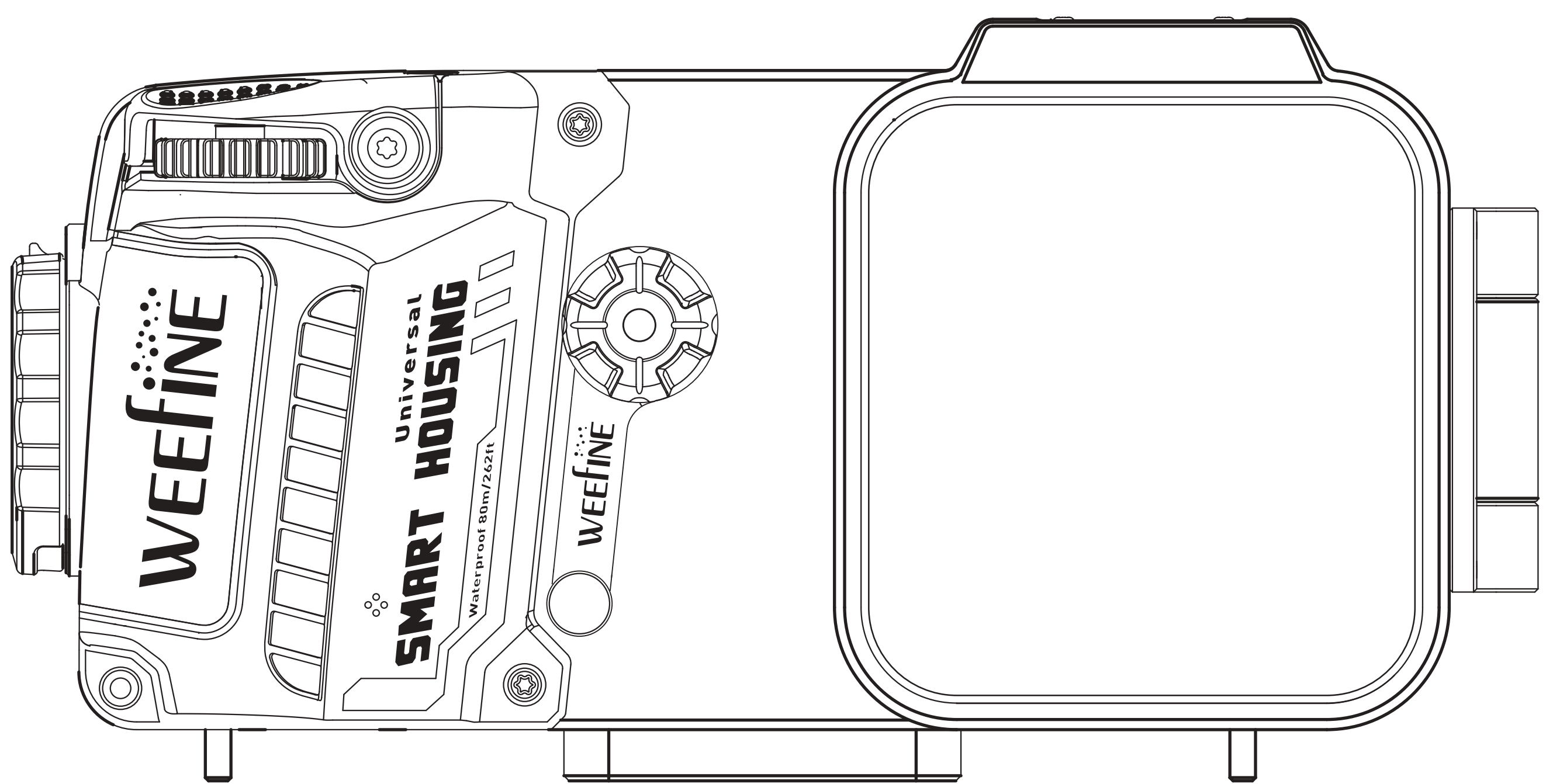


# WEEFINE

Enjoy your Underwater world



## Universal Smart Housing

***WFH07X***



© WEEFINE ALL RIGHTS RESERVED. WEEFINE IS A REGISTERED TRADEMARK.

Please read the manually carefully before use

V1.0 2025/6

## ● Product Introduction:

**Thank you for choosing the WFH07X Universal phones Smart Housing.**

WEEFINE is dedicated to innovative design and user-friendliness, catering to the habits of underwater photographers to enhance convenience and reliability. As smart phone have become one of the most widely used photography devices, the WFH07X Smart Housing combines multi functionality with professional hardware and software design to deliver an exceptional underwater photography experience.

This product features a high-strength aluminum alloy body and precision-engineered sealing technology. Each unit undergoes strict quality control and pressure testing, ensuring waterproof performance up to 80 meters for reliable underwater shooting.

## ● Product Disclaimer:

### **User Responsibility:**

Users must strictly follow the instructions in the manual. Weefine shall not be held liable for any water ingress issues caused by improper operation, including but not limited to: failure to secure components properly, missing valve seals, or failure to replace aged O-rings.

### **Water Ingress Risk:**

Underwater environments are complex, and factors such as water pressure changes, external impacts, or unforeseen circumstances may compromise sealing performance. In the event of resulting phone damage, data loss, or interrupted shooting, Weefine's liability shall be limited to the product's own value and does not cover phone repairs, data recovery, or consequential losses (e.g., trip disruptions).

### **Quality Assurance:**

If a defect is confirmed to stem from design or manufacturing, please contact our after-sales service with proof of purchase. Resolution will be provided in accordance with warranty terms.

## ● Important Notes:

Conduct multiple seal checks before each dive and perform regular accessory maintenance.

Avoid storing critical data solely on the device; back up when necessary.

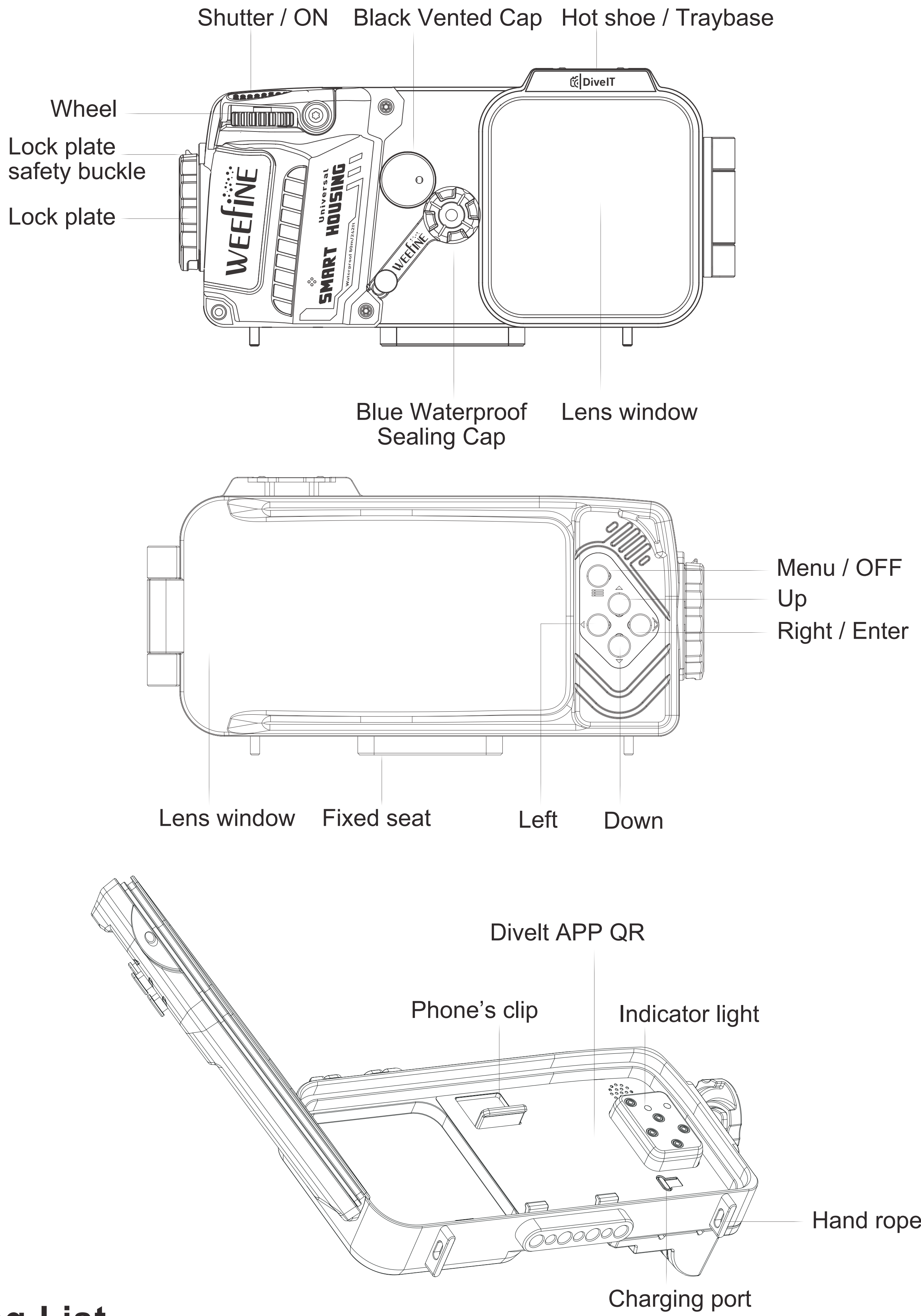
Weefine is committed to delivering high-quality products, but inherent risks accompany underwater use.

Please exercise caution and acknowledge these limitations.

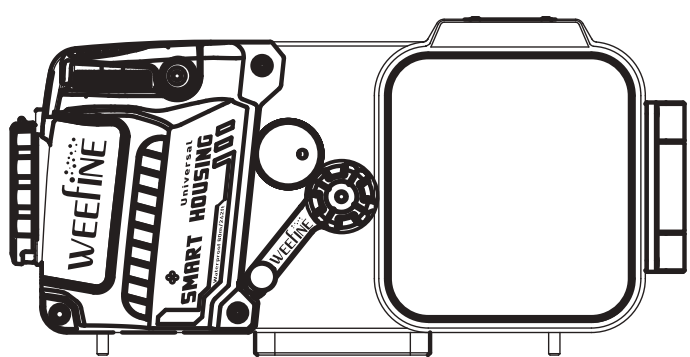
## ● Technical Parameters:

Compatible phones size	Within 163.5(L) x 82(W) x 10.6(H) mm + 7mm(Lens)
Depth Rating	80m / 262Ft
Battery	Built-in Lithium Battery
Charger	TYPE-C input
Running time	Work running time > 24Hours, Standby time > 100days;
Times of vacuumizing	> 100 number of times
Material	Aluminum with Type II Anodizing and Optical Grade Polycarbonate Resin
Dimension	238.5(L) x 119(W) x 76(H) mm
Weight	1150g (Air) / 100g (Underwater)

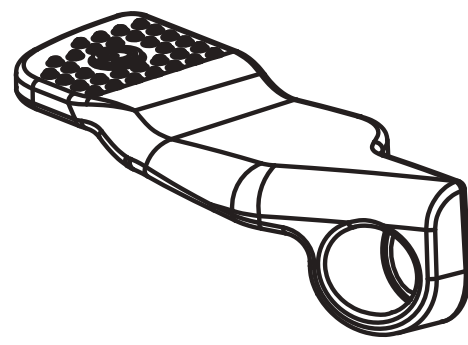
# • Product information



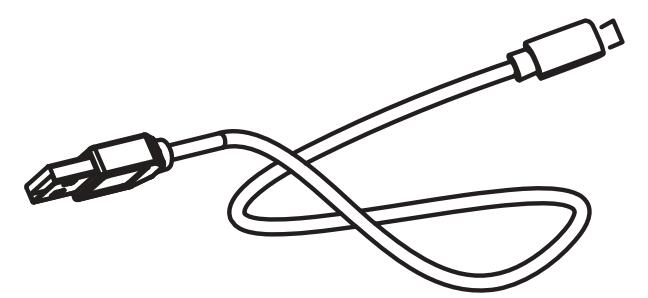
# • Packing List



WFH07X \*1



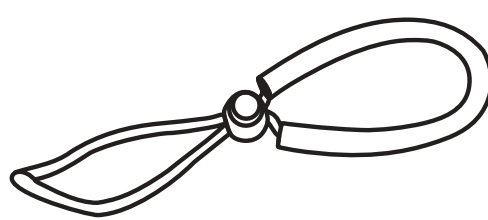
Shutter extension lever \*1



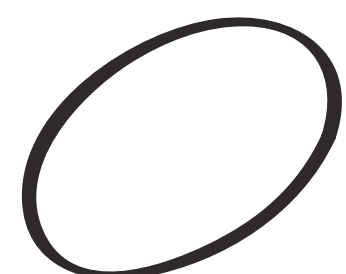
USB-C cable \*1



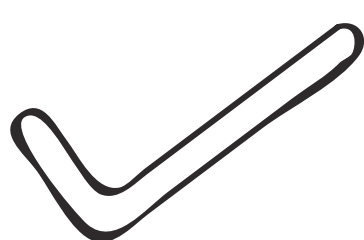
Silicon grease \*1



Lanyard \*1



Spare Oring \*1



Allen Key \*1



Removal tool \*1



Clean cloth \*1

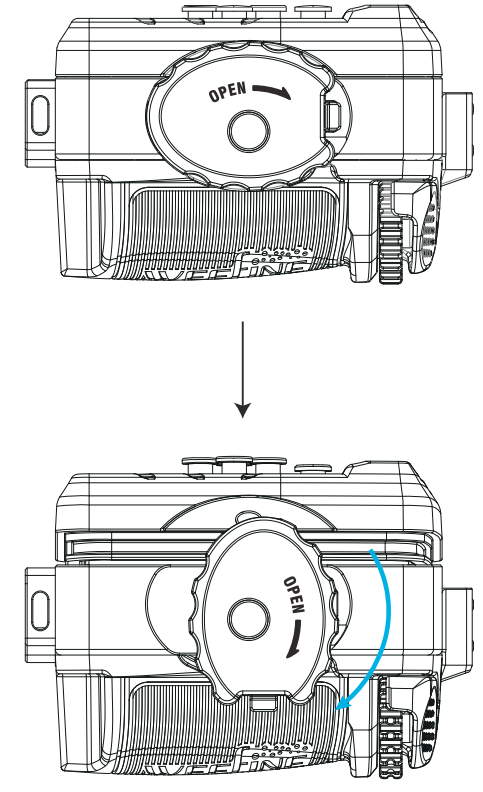
## • Open and lock the housing

### Open

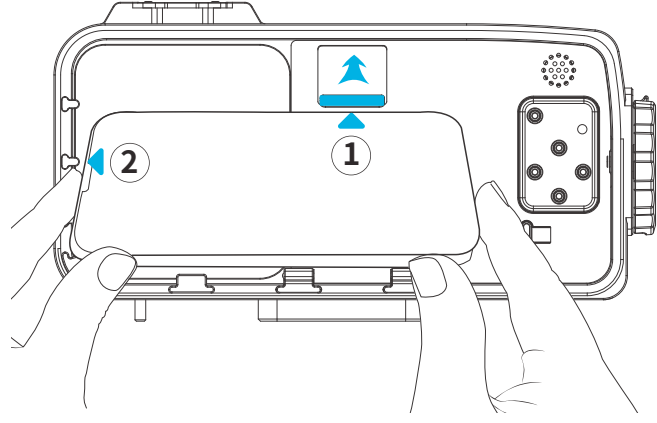
Pull the lock plate safety buckle outward and twist the lock plate towards the Open direction until the back cover is fully opened;

### Locking

Align the lock plate latch with the lock column on the transparent back cover of the housing, twist the lock plate towards the Lock direction until the safety buckle of the lock plate clicks and the housing locks;



## • Place the phone



Place the back of the phone facing down and push the phone's clip until the phone is flat and inserted;

Note: Make sure the phone and the lens are within the safe area to prevent the phone from being crushed when closing the cover.

## • Functional Operation

### Turn on

Push and hold the Shutter for 0.5 seconds;

### Turn off

Push and hold the Menu key for 3 seconds;  
The Housing will automatically turn off 3 minutes after the Bluetooth connection is disconnected.

### Connecting the phone to the Smart Housing

Scan the QR code inside the Smart Housing to download the DiveIT App and install it for registration;  
After opening the App and turning on the Smart Housing, the phone and the Smart Housing will be automatically connected;

### Button vibration effect

Push and hold the Right key for 3 seconds to enable or disable it;

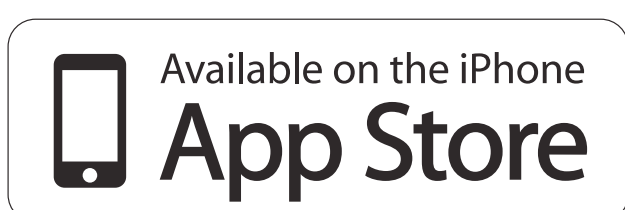
Working indicator light status	Battery level > 20%	Battery level < 20%
Bluetooth connected	Green light goes on	Red light goes on
Bluetooth not connected	Green light flashing	Red light flashing

Note: Valve Pump function will disable when battery level < 20%;

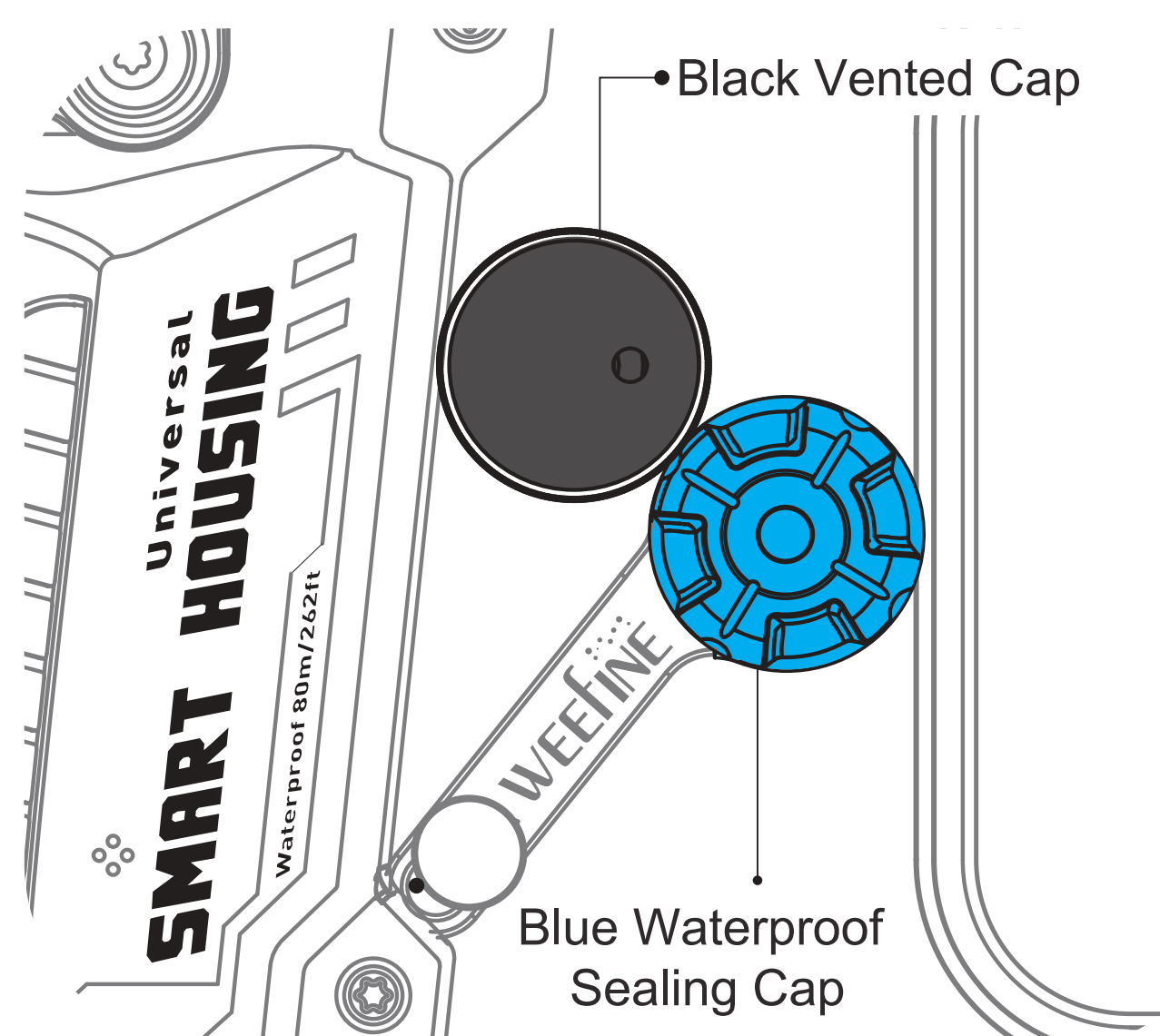
## • App operation instructions



DiveIT



## • Transportation instructions, installation of the breathable cover



### 1. FACTORY CONFIGURATION

This product comes pre-installed with a black vented cap to ensure pressure equalization inside and outside the housing during air transport, preventing potential damage caused by pressure differences.

### 2. BEFORE UNDERWATER USE – REPLACE WITH WATER-PROOF CAP

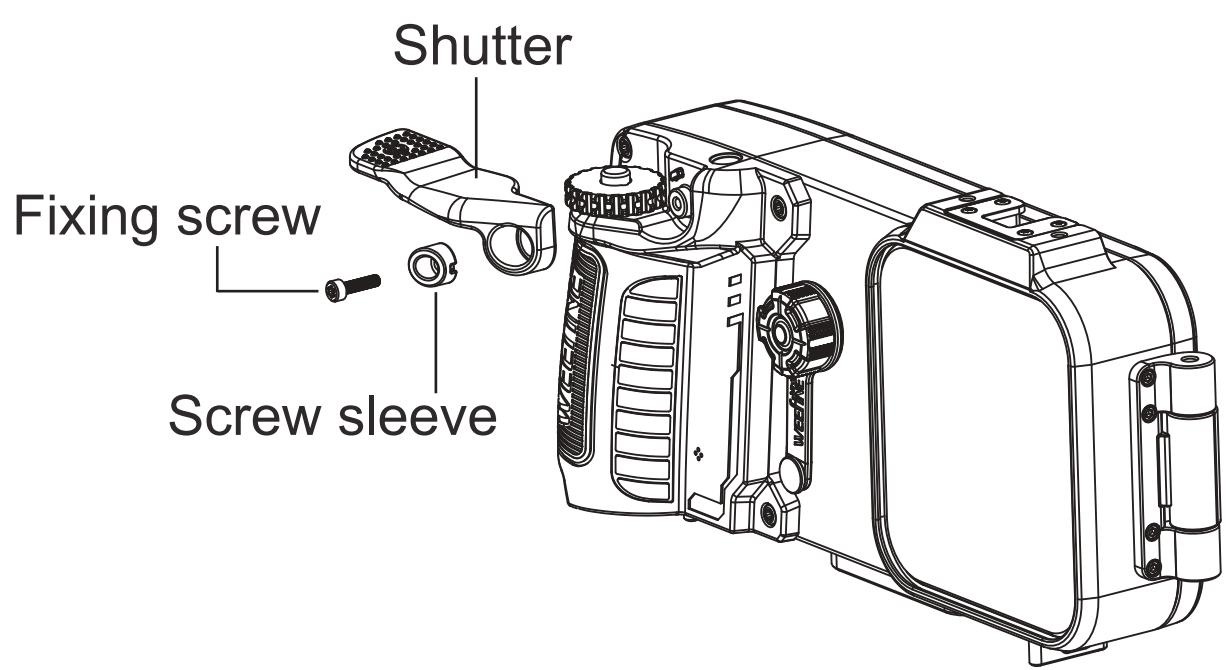
- Before underwater use, the black vented cap must be replaced with a blue waterproof sealing cap to ensure complete water resistance.
- Failure to replace the cap will result in water ingress and may cause equipment damage!!!

### 3. DURING AIR TRANSPORT

- If the product needs to be transported by air again, reinstall the vented cap to prevent structural damage due to pressure differences.

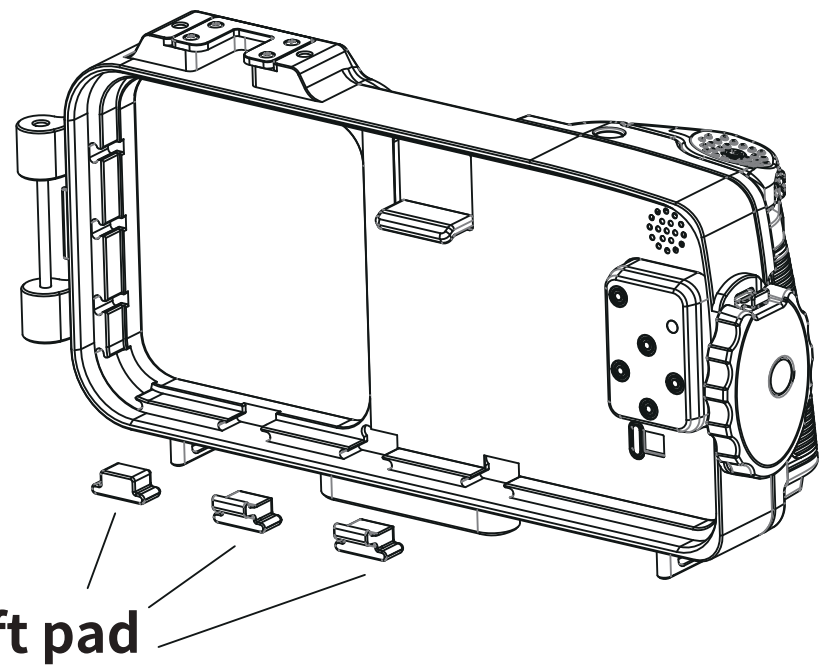
Always switch caps according to usage scenarios to avoid product damage!

## • Extended Shutter Button Installation Guide



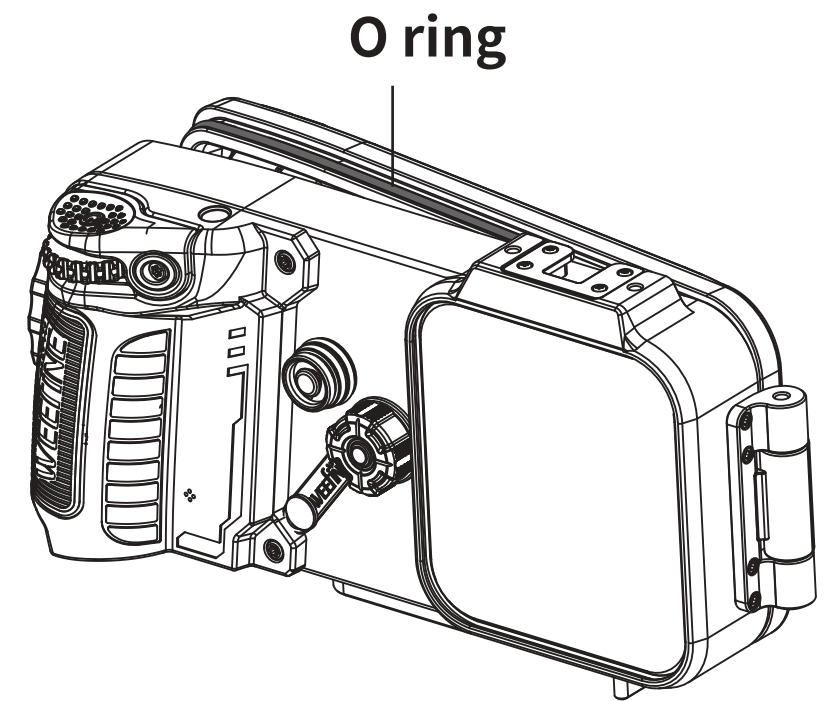
- Use the included hex wrench to loosen the original shutter button's fixing screw.
- Remove the original shutter button and screw sleeve.
- Install the extended shutter button, ensure proper alignment, then tighten the screw (refer to the left diagram).

## • Cushion Adjustment Instructions



If the phone's side buttons interfere with the cushion, remove the corresponding cushion to ensure proper button functionality.

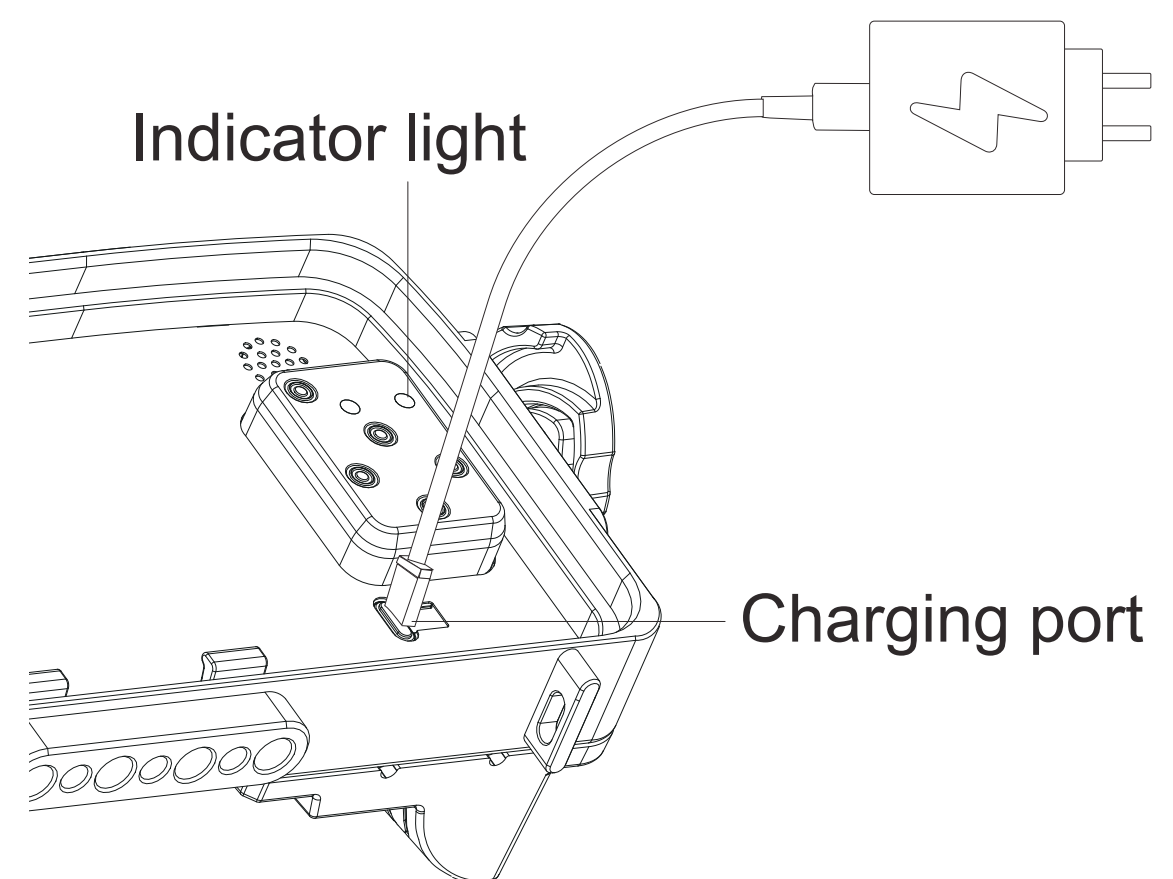
## • O-ring Replacement Procedure



1. Carefully remove the old O-ring using the included pry tool.
2. Apply a small amount of silicone grease to lubricate the new O-ring.
3. Securely seat the O-ring into the groove, ensuring no twists, damage, or foreign debris.
4. After replacement, perform an air suction test to verify waterproof integrity.

## • Charging and indicator light status

- **Red: Charging**  
(approx. 2 hours to full charge)
- **Green: Fully charged**



## • General Maintenance

1. Soak the housing in freshwater for minimum 30 minutes after diving;
2. If the housing is not going to be used for a long time, please store the housing with 70% battery capacity;
3. The battery need to be recharged fully every 6 months to prolong the battery life;
4. There is an O-ring on the case, silicon grease should be used to keep the O-ring well lubrication. If the O-ring is cracked, hardened, damaged, deformed and so on, it should be replaced in time;
5. Do not use sharp tools to remove the O-ring.

## • 产品简介

感谢您选用WFH07X通用型智能手机潜水壳。

WEEFINE 致力于以创新的设计以及易用性,符合水下摄影师的使用习惯,提高便捷性和可靠性;手机正成为人们最常用到的摄影设备,WFH07X 潜水壳以丰富的功能和专业的软硬件设计,为您创造极佳的水下摄影体验;

本产品采用高强度铝合金主体及精密密封设计,每件产品均经严格质检与水压测试,支持80米防水性能,确保水下拍摄的可靠性

### 产品免责声明:

#### 使用责任:

用户需严格按照说明书操作,任何因操作不当(如未正确锁紧部件、气阀密封盖漏装,密封圈老化未更换等)导致的进水问题,本公司不承担责任。

#### 进水风险:

水下环境复杂,水压变化、外力冲击或无法预见的因素可能影响密封性。若因此导致手机损坏、数据丢失或拍摄中断,Weefine公司仅在产品自身价值范围内承担赔付,不涵盖手机维修、数据恢复、行程损失等连带责任。

#### 质量保障:

如确认因设计或制造缺陷导致问题,请凭购买凭证联系售后,我们将依据保修条款处理。

### 重要提示:

下水前多次检查密封性,定期维护配件。

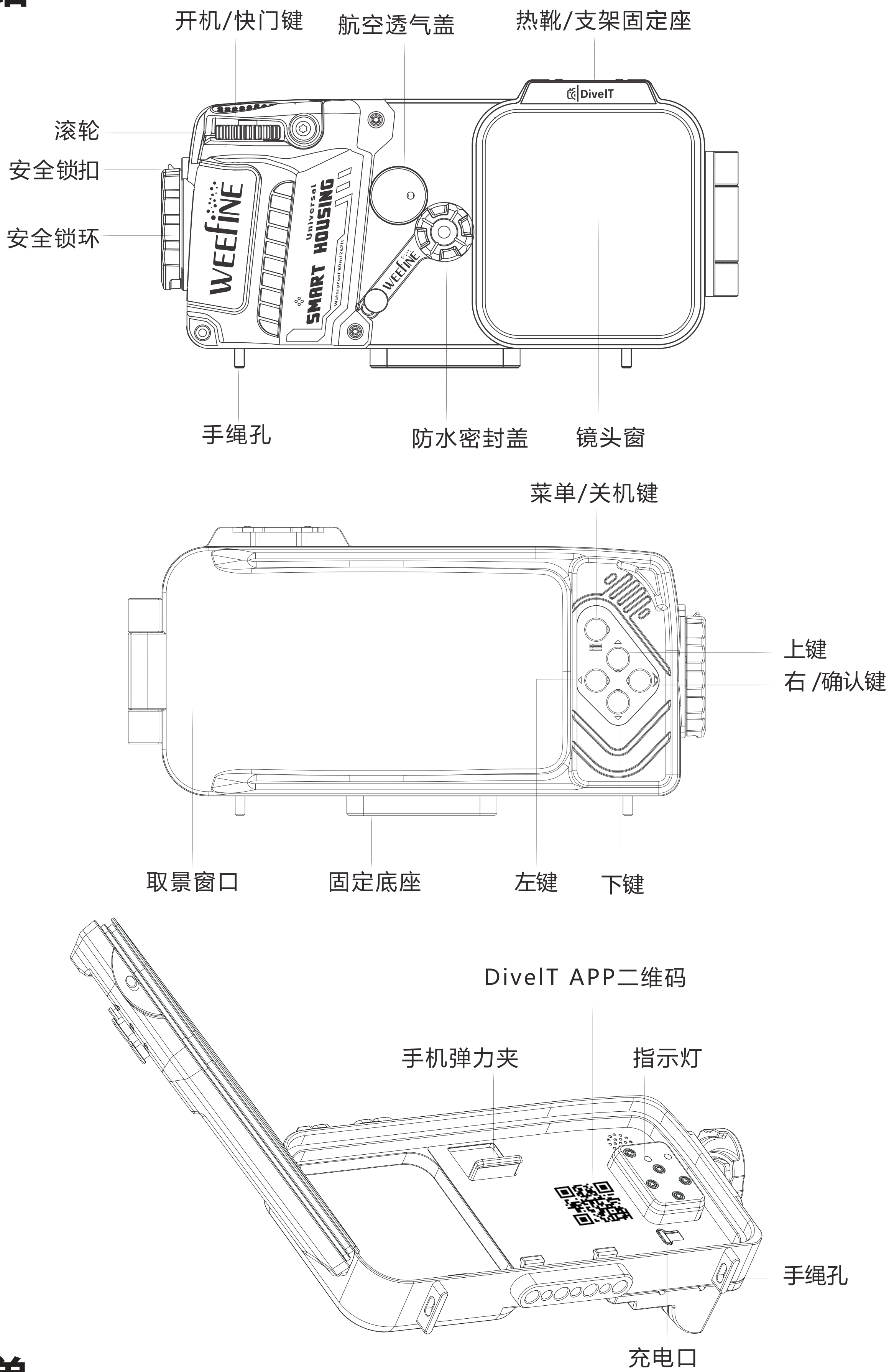
避免将贵重资料单独存于手机中,必要时备份数据。

Weefine致力于提供优质产品,但水下使用存在固有风险,请理解并谨慎使用。

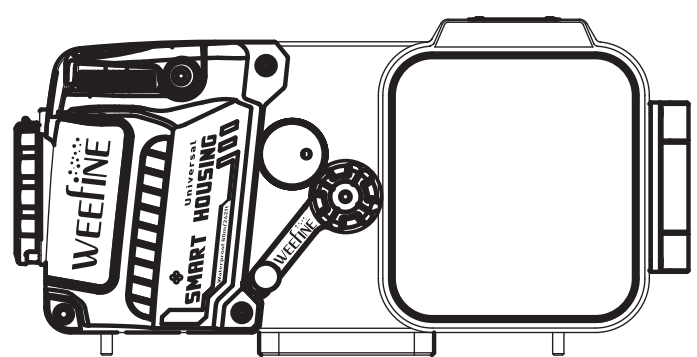
## • 技术参数

兼容手机尺寸	163.5(长) x 82(宽) x 10.6(高) mm + 7mm(镜头) 以内
防水深度	80米 / 262 英尺
电池类型	内置锂电池
充电方式	TYPE-C 输入
续航时间	持续使用 > 24小时, 待机时间 > 100天;
抽气次数	> 100次
壳体材质	阳极氧化铝合金 + 高强度透明聚碳酸酯
产品尺寸	238.5(长) x 119(宽) x 76(高) mm
产品重量	1150g (空气中) / 100g (水中)

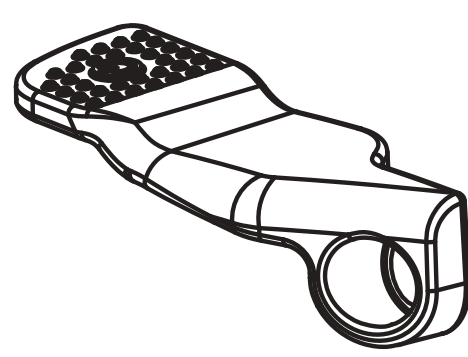
# • 产品介绍



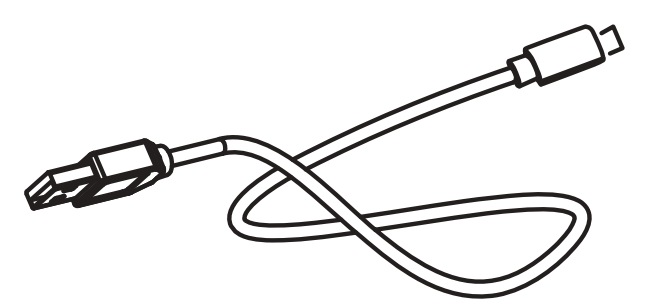
# • 配件清单



WFH07X x1



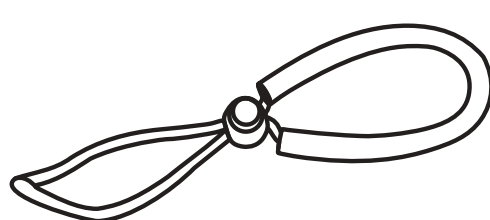
加长快门杆 x 1



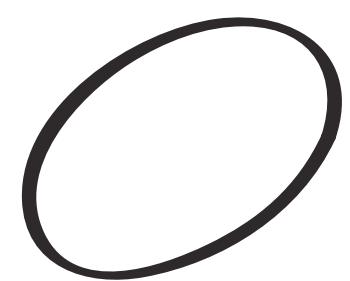
USB-C 充电线 x 1



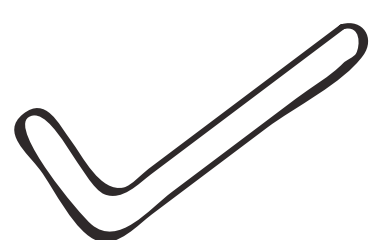
硅脂x1



手绳 x 1



备用Oring x 1



六角扳手 x 1



翘片 x 1



擦镜布 x 1

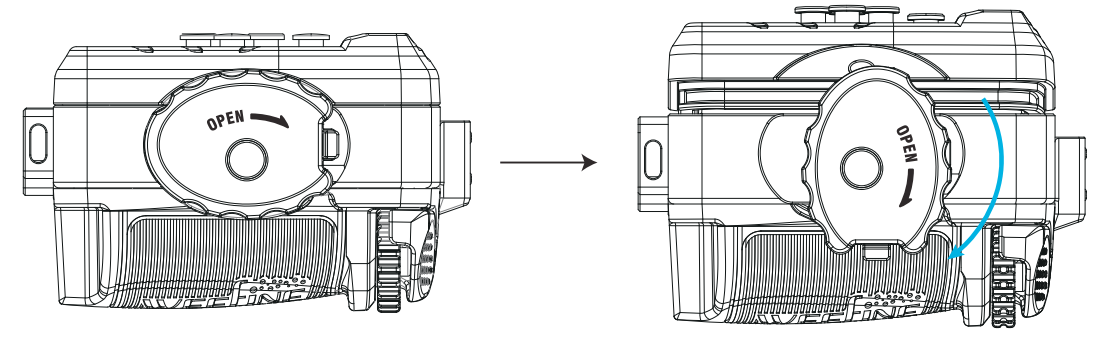
## • 打开 & 关闭防水壳

### 打开

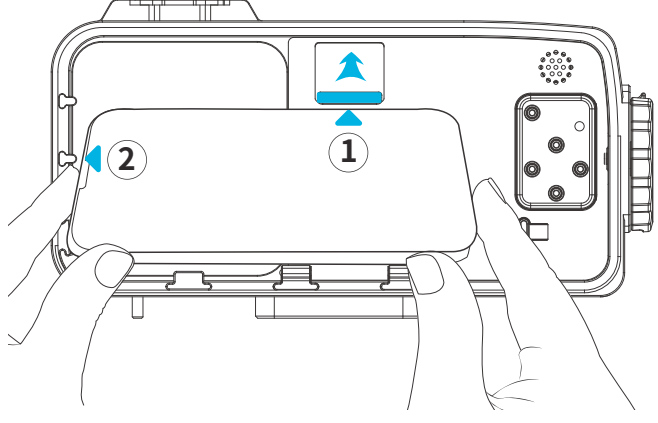
往外拨开锁盘安全扣,同时将锁盘朝Open方向扭转,直到防水壳后盖完全打开

### 锁闭

将锁盘卡口对准防水壳透明后盖的锁柱,将锁盘朝Lock方向扭转,直到锁盘安全扣“哒”的一声,防水壳锁闭;



## • 放置手机



如图所示

将手机背面朝下,推动手机弹力夹,直到手机平整放入;

请注意:手机顶部与防水壳左侧橡胶防护扣无重叠,以免合盖时压坏手机;

## • 开关机 / 蓝牙连接 / 指示灯

### 开机

快门按键长按0.5秒;

### 关机

菜单按键长按3秒,

或与手机蓝牙连接断开3分钟后自动关机

### 手机与防水壳连接

防水壳内扫码下载 DiveIT App并安装注册;

打开App,防水壳开机后,手机将与防水壳自动连接;

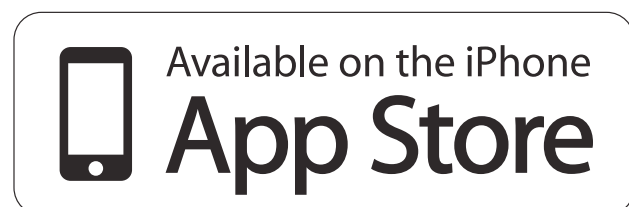
### 按键振动效果开关:

右键长按3秒打开或取消按键振动效果;

工作指示灯状态	电量大于20%	电量小于20%
蓝牙已连接	绿灯常亮	红灯常亮
蓝牙未连接	绿灯闪烁	红灯闪烁

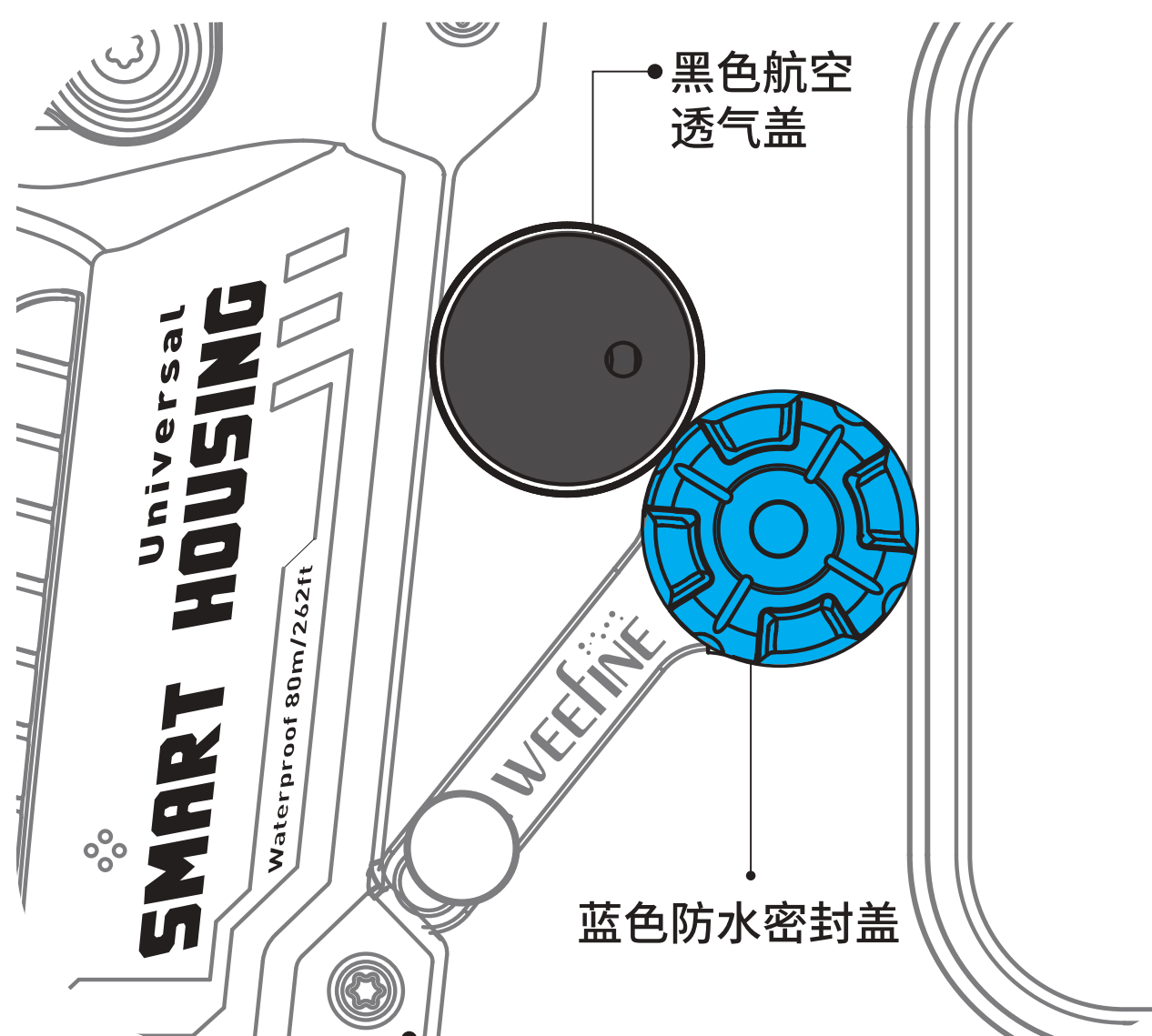
注意: 电池电量低于20%时, 抽气功能将停止工作;

## • 扫码下载App说明书



DiveIT

## • 运输说明, 透气盖的安装



### 1. 出厂配置

本产品出厂时,气阀默认安装黑色航空透气盖,以确保航空运输过程中壳体内外气压平衡,避免因内外气压差导致壳体损坏。

### 2. 水下使用前需更换防水盖

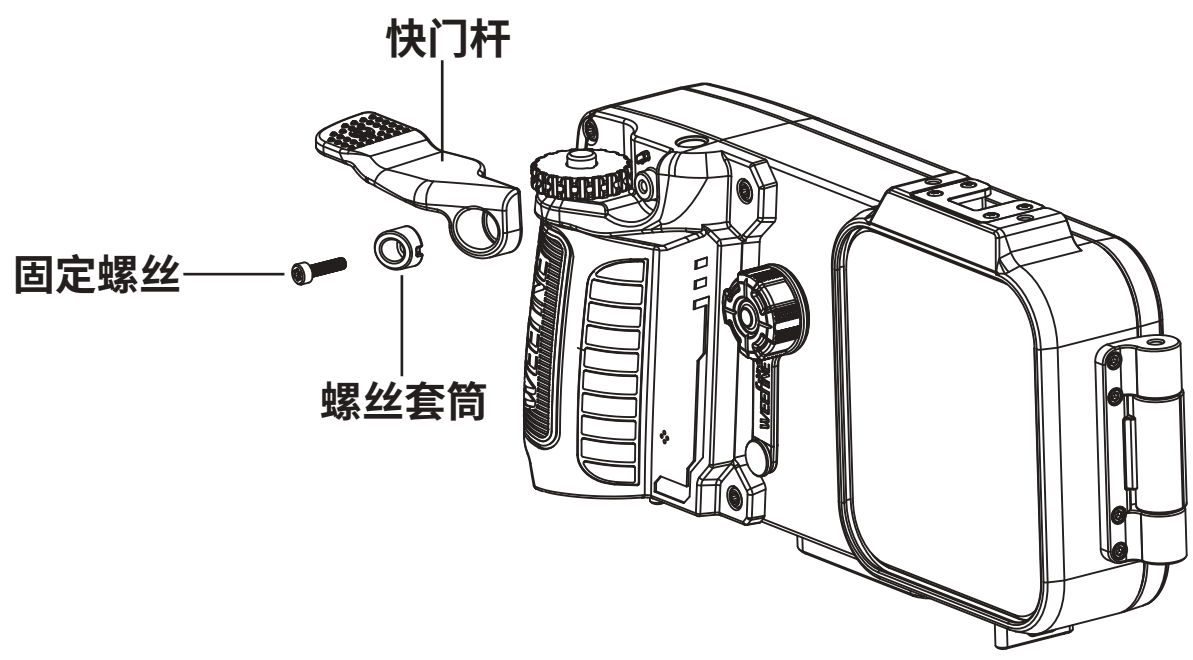
- 在正式水下使用前,必须将黑色航空透气盖更换为蓝色的防水密封盖,以确保壳体防水。
- 若未更换防水密封盖下水,将导致进水造成设备损坏!!!

### 3. 航空运输时

- 若需再次通过航空运输,请重新安装航空透气盖,防止气压差导致壳体结构受损。

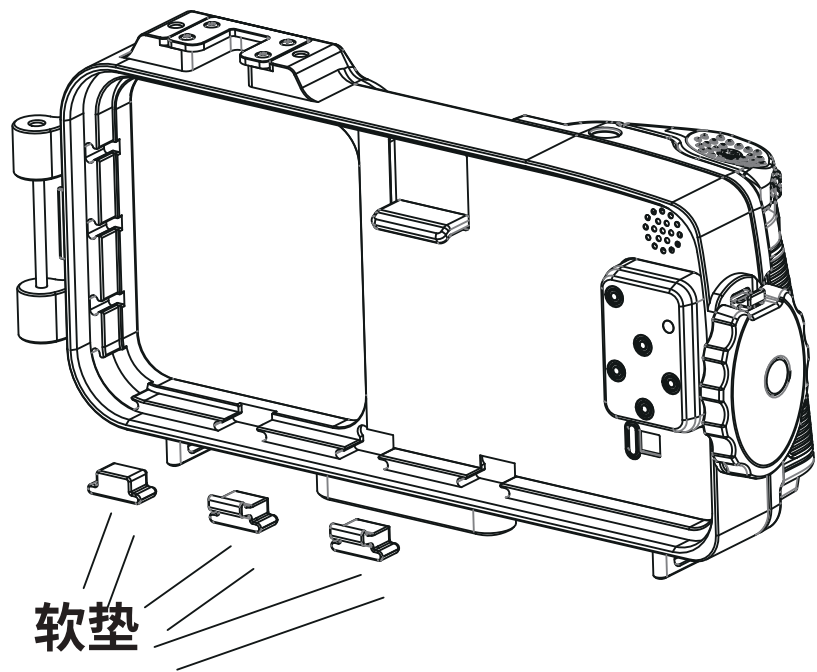
请务必根据使用场景正确更换盖子,避免产品损坏!

## • 更换快门杆



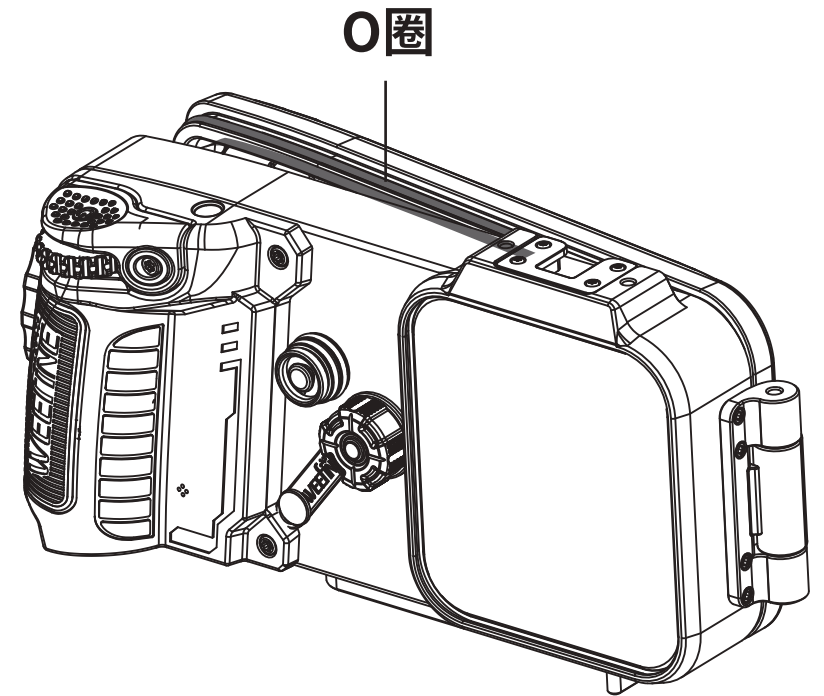
- 使用随附的六角扳手拧松原快门杆固定螺丝。
- 移除原有快门杆及螺丝套筒。
- 安装加长快门杆, 确保对齐后锁紧螺丝(参考左图示意图)。

## • 软垫调整说明



若手机侧边按钮与软垫发生干涉, 可移除对应位置的软垫以确保按键正常触发。

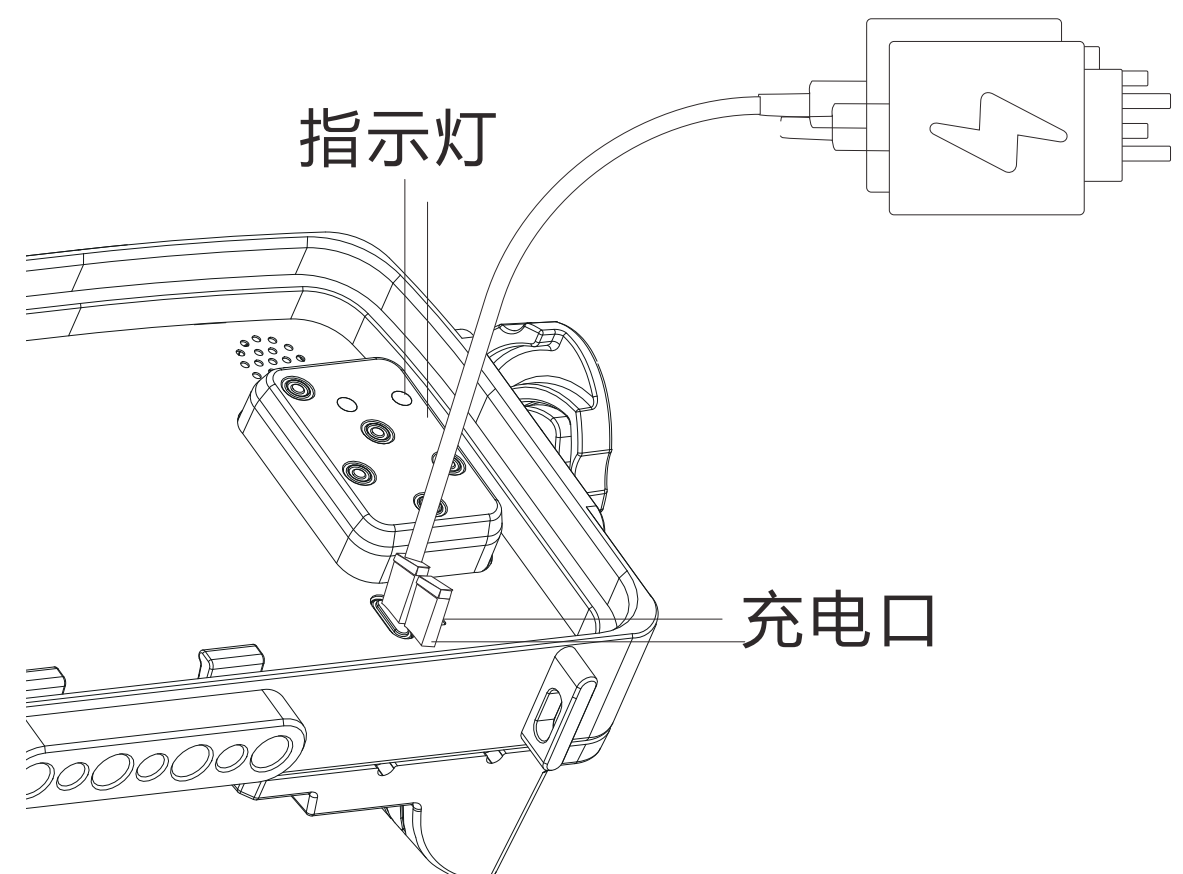
## • O-ring 更换流程



1. 用随附的翘片小心移除旧O-ring。
2. 为新O-ring 涂抹少量硅脂润滑。
3. 将O-ring 准确嵌入槽内, 确保无扭曲、破损或异物。
4. 更换后必须执行抽气密封测试验证防水性。

## • 充电指示灯

- 红灯: 充电中 (约2小时充满)
- 绿灯: 电池已充满



## • 保养维护

1. 潜水后应将本机置于淡水中浸泡30分钟, 并用流水冲洗1分钟;
2. 长期不使用时, 电池电量维持70%为佳;
3. 至多每6个月, 需要对电池充放电一次;
4. 机身的主防水Oring, 应保持清洁和润滑, 不应有砂砾, 毛丝, 或其他异物附着; 如Oring出现干裂, 破损, 挤压变形, 应及时更换;
5. 不要使用锋利的工具取出Oring;